

# BUILDING A STRONG ASSET/NETWORK

## Step 1

### CORE PERSON (CP)

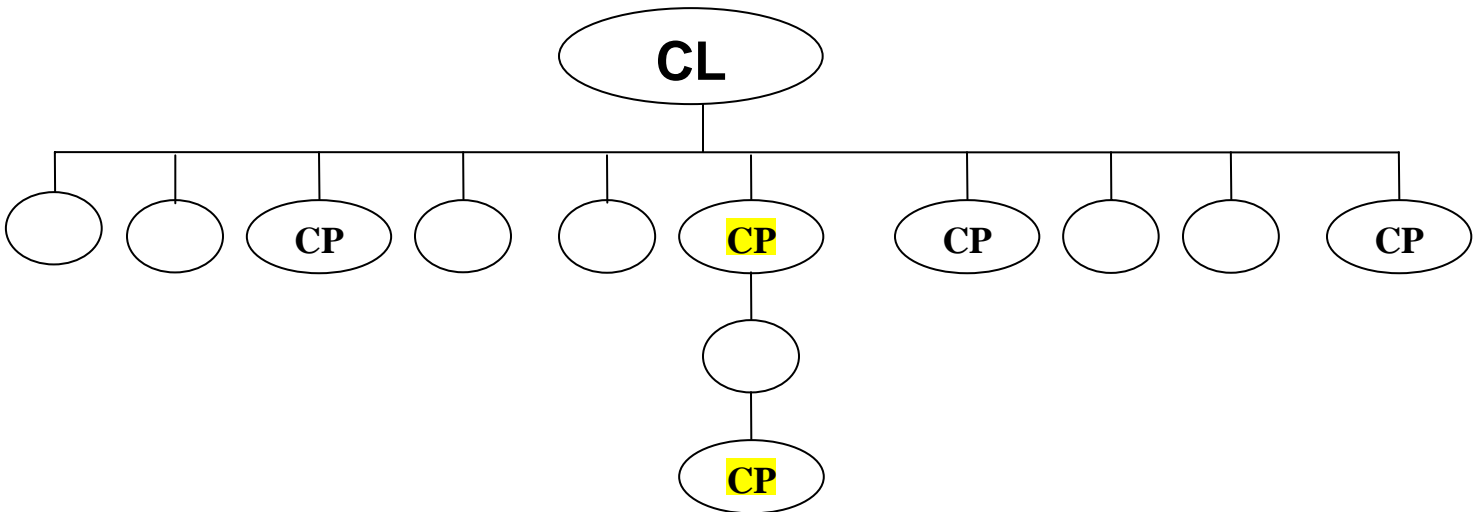
A \*3 distributor will become a CP if he fullfill these conditions

Check	Condition
	Minimum *3
	Having name list of 100 person
	Presentation minimum of 2x a week
	Being a goog team player in building Network

Next goal (should be achieved in 1 month).

## Step 2

### CORE LEADER (CL)

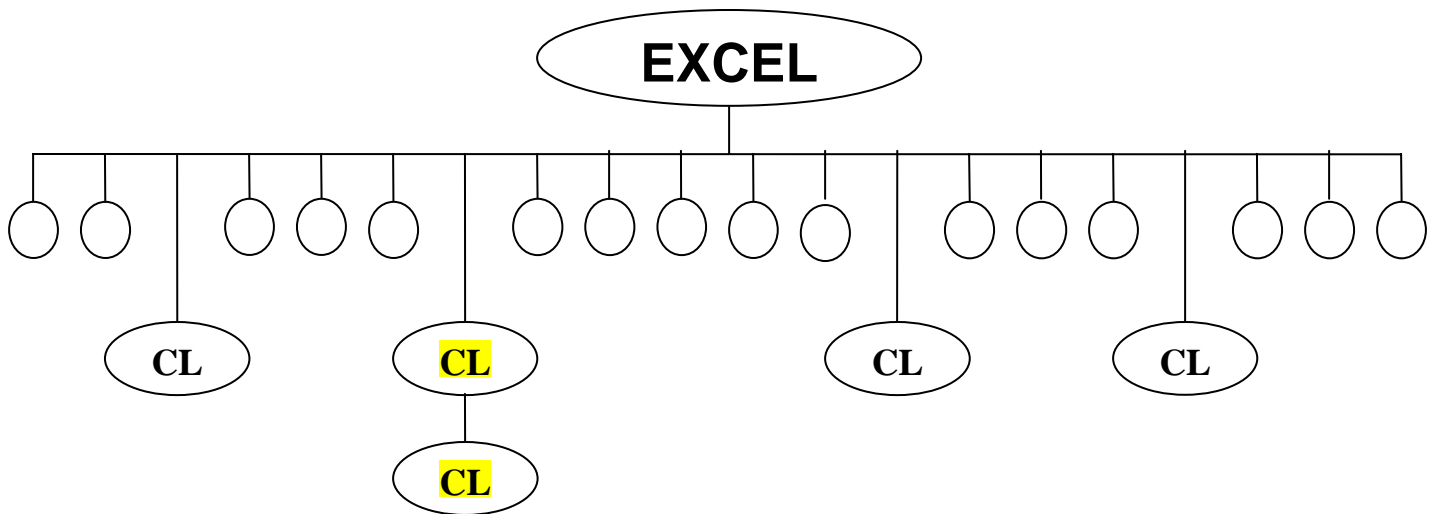


A Core Leader (**CL**) has 10 frontlines (direct downlines) or 10 legs, where 4 frontlines already a Core Person (CP).& in 1 of the leg has **CP in 2 level depth**. A CL has to fulfill these conditions :

Check	Condition
	Minimum of *4
	Has 4 frontlines who already <b>CP</b> ).& in 1 of the leg has <b>CP in 2 level depth</b>
	Has minimum 10 frontlines (direct downlines)
	Has Current Achievement of minimum 1500 BV (monthly group achievement, <b>not alone</b> )

Next goal

### Step 3 EXECUTIVE CORE LEADER (EXCEL)



An Executive Core Leader (**EXCEL**) has 20 frontlines (direct downlines) or 20 legs, where 4 frontlines already a Core Leader (CL).& in 1 of the leg has **CL in 2 level depth**. An EXCEL has to fulfill these conditions :

Check	Condition
	Has 4 frontlines who already (CL).& in 1 of the leg has CL in 2 level depth
	Has minimum 20 frontlines (direct downlines)
	Has Current Achievement of minimum 6000 BV (monthly group achievement, <b>not alone</b> )

This program allow you to have a strong network, hence produce a strong Current Achievement (Monthly Achievement) which then give good bonus. This system should be duplicated to the downlines to have maximum goal & achievement.

Further assistant contact support system nearby.